

DESCRIPTION:
EXTERIOR WALL-FLOOR JOIST

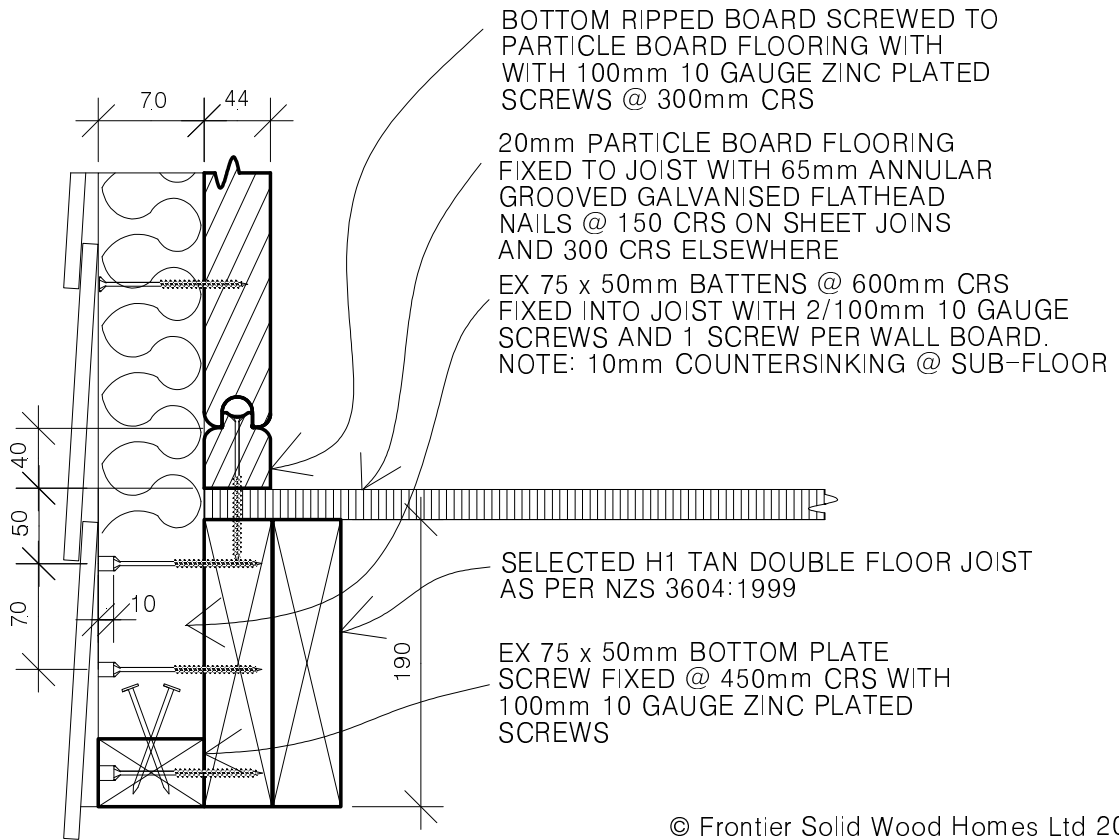
DATE: 15/5/03

DRAWN: BLG

SCALE: 1:5

SHEET:

9



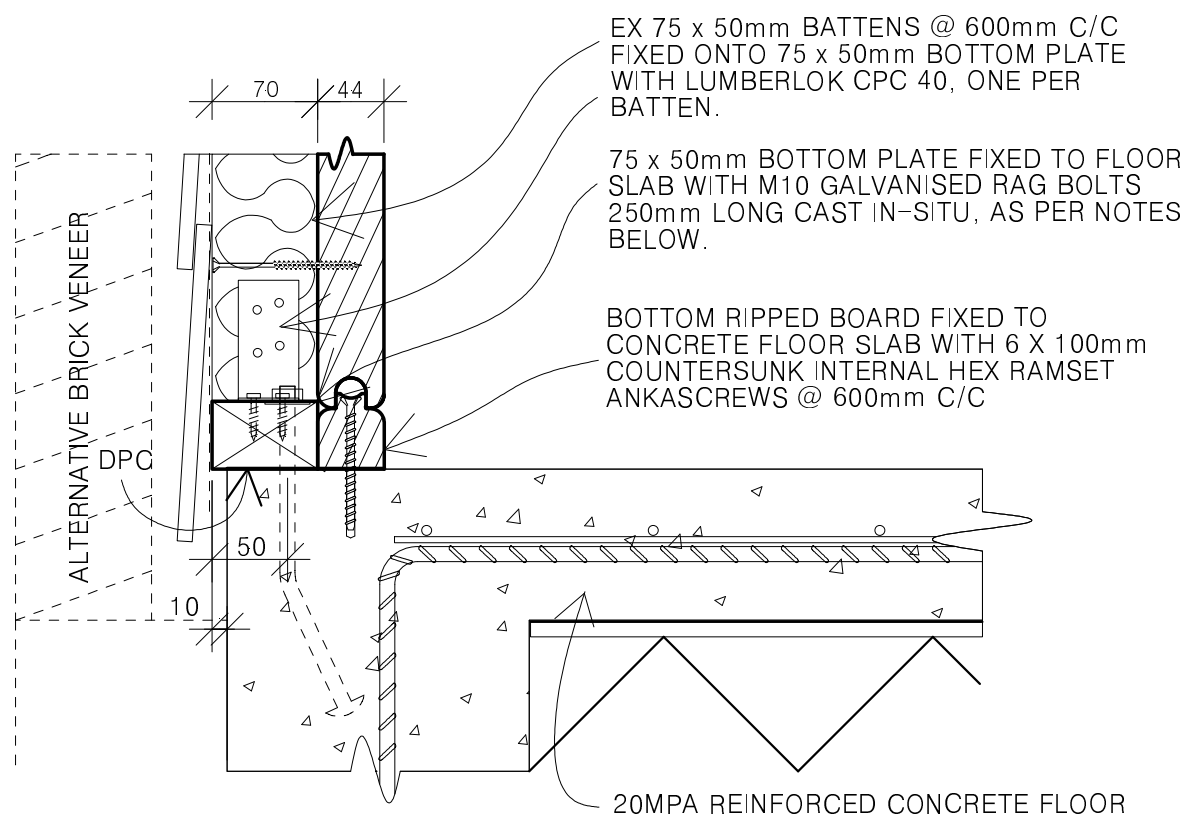
© Frontier Solid Wood Homes Ltd 2003

NOTES:

DESCRIPTION:
EXTERNAL WALL-FLOOR SLAB

DATE: 28/5/03
DRAWN: BLG
SCALE: 1:5

SHEET:
9.1



© Frontier Solid Wood Homes Ltd 2003

- NOTES:**
- M10 GALVANISED BOLTS CAST IN:-
 - (i) AT EACH END OF CONSTRUCTIO PLY BRACE, WITHIN 50mm OF ONE EDGE OF THE END BATTEN.
 - (ii) AT DOOR OPENINGS (WHERE THE BOTTOM PLATE WILL BE CUT OUT, WITHIN 50mm OF THE EDGE OF THE JAMB BATTEN, REFER DETAIL X ON SHEET 10.1.
 - (iii) AT EACH SIDE OF EACH EXTERIOR CORNER.
 - (iv) AT EACH SIDE OF EACH BOTTOM PLATE JOINT.
 - (v) AT 1 METER MAXIMUM CENTRES ELSEWHERE.