

## DESCRIPTION:

44mm LOAD BEARING WALL  
FLOOR LOAD ONLY

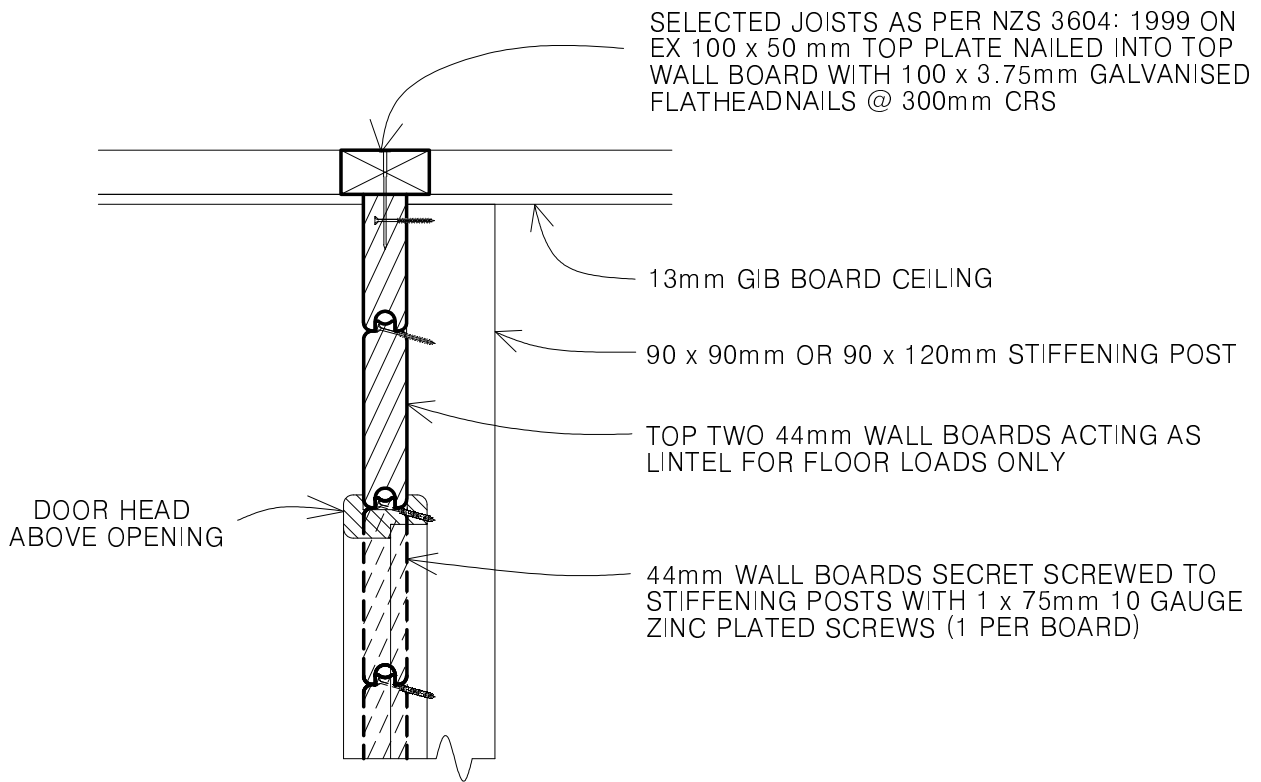
DATE: 10/5/04

DRAWN: BLG

SCALE: 1:10

SHEET:

24



© Frontier Solid Wood Homes Ltd 2003

## NOTES:

## DESCRIPTION:

44mm LOAD BEARING WALL  
(ROOF LOAD ONLY)

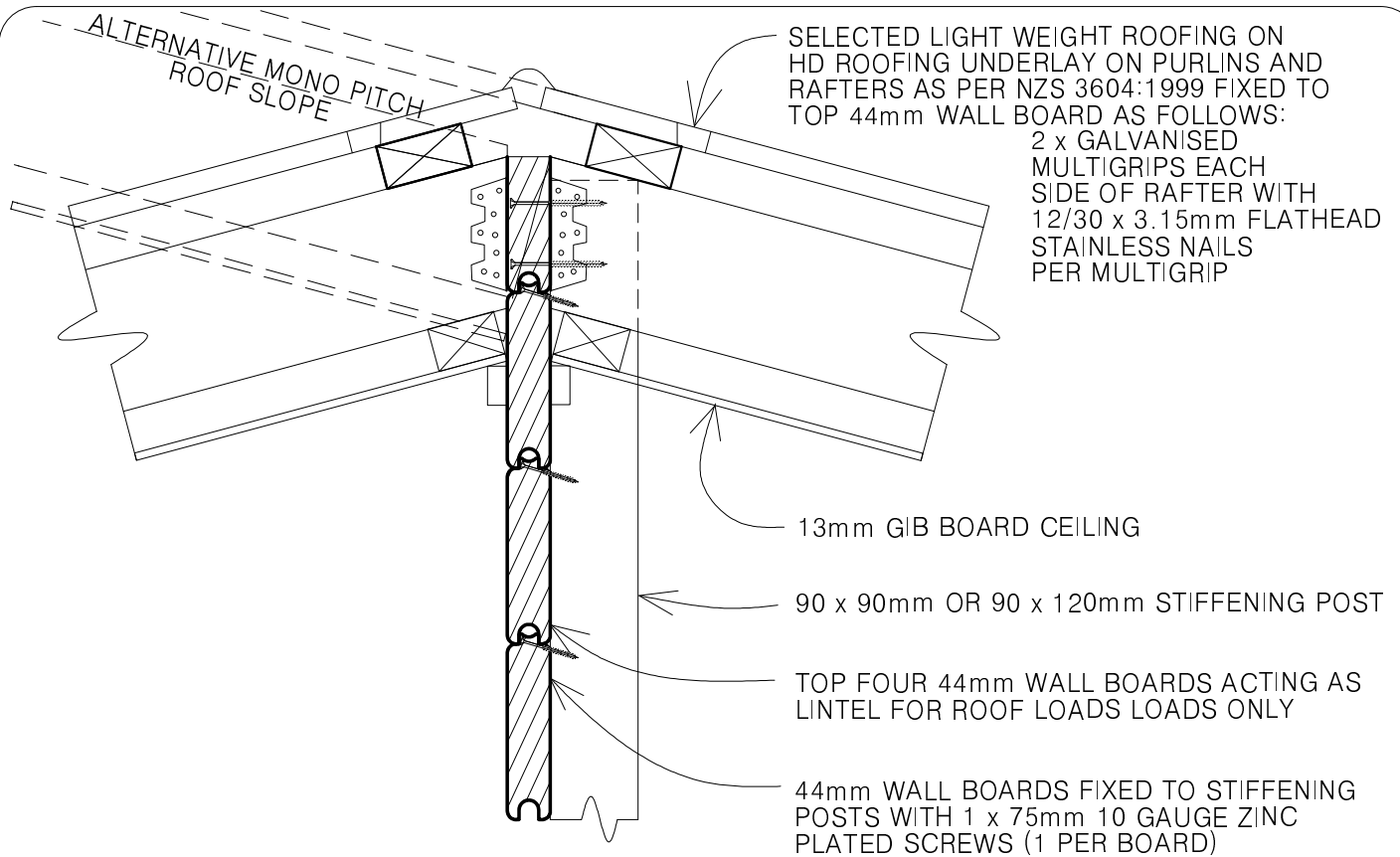
DATE: 10/5/04

DRAWN: BLG

SCALE: 1:10

SHEET:

24.1



© Frontier Solid Wood Homes Ltd 2003

## NOTES: